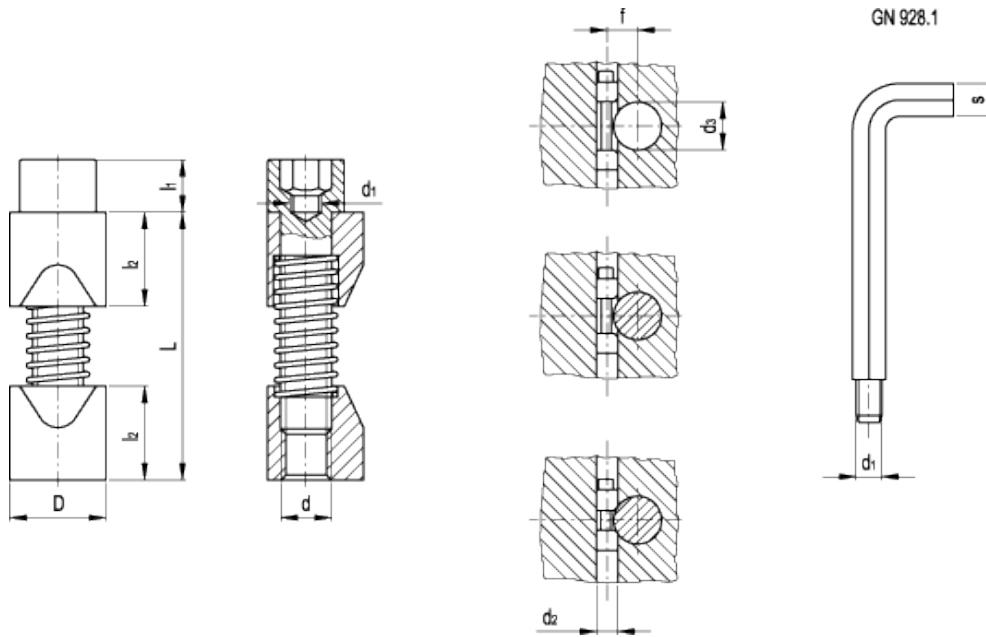


# GN 928

Clamping elements  
for round cross section shafts



## technical informations

### Body

Black-oxide steel.

### Cap screw

DIN 912, zinc-plated steel.

### Features and applications

GN 928 shaft clamping units are used to clamp economically and rapidly round workpieces from 6 to 125 mm. For the application of GN 928 on large holders and away from the outside edge, spacers or special bolts are available.

*Accessories on request*

Mounting tools GN 928.1 (Code no. see table).

Standard Elements	Main dimensions											Weight	Mounting tool
Description	D <sub>h11</sub>	d	d <sub>1</sub>	d <sub>2 H7</sub>	d <sub>3</sub>	L	l <sub>1</sub>	l <sub>2</sub>	f <sub>+0.2</sub>	s	g		
GN 928-8	8	M4	M2.5	8	6 ÷ 10	22	4	8	d3/2 + 2.8	3	5	GN 928.1-3	
GN 928-10	10	M5	M3	10	10 ÷ 15	30	5	10	d3/2 + 3.3	4	15	GN 928.1-4	
GN 928-12	12	M6	M4	12	15 ÷ 20	36	6	12	d3/2 + 3.5	5	20	GN 928.1-5	
GN 928-16	16	M8	M5	16	20 ÷ 30	48	8	16	d3/2 + 4	6	52	GN 928.1-6	
GN 928-20	20	M10	M6	20	30 ÷ 40	60	10	20	d3/2 + 4.8	8	105	GN 928.1-8	
GN 928-25	25	M12	M8	25	40 ÷ 60	72	12	25	d3/2 + 5.6	10	190	GN 928.1-10	
GN 928-30	30	M16	M10	30	60 ÷ 125	85	16	30	d3/2 + 7.9	14	345	GN 928.1-14	



STANDARD MACHINE ELEMENTS WORLDWIDE